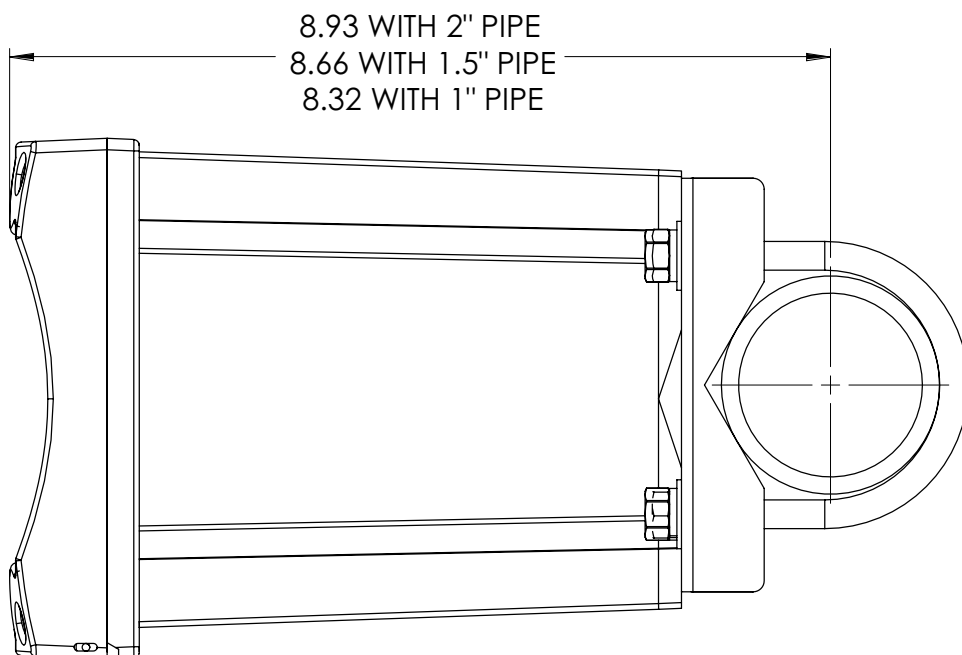
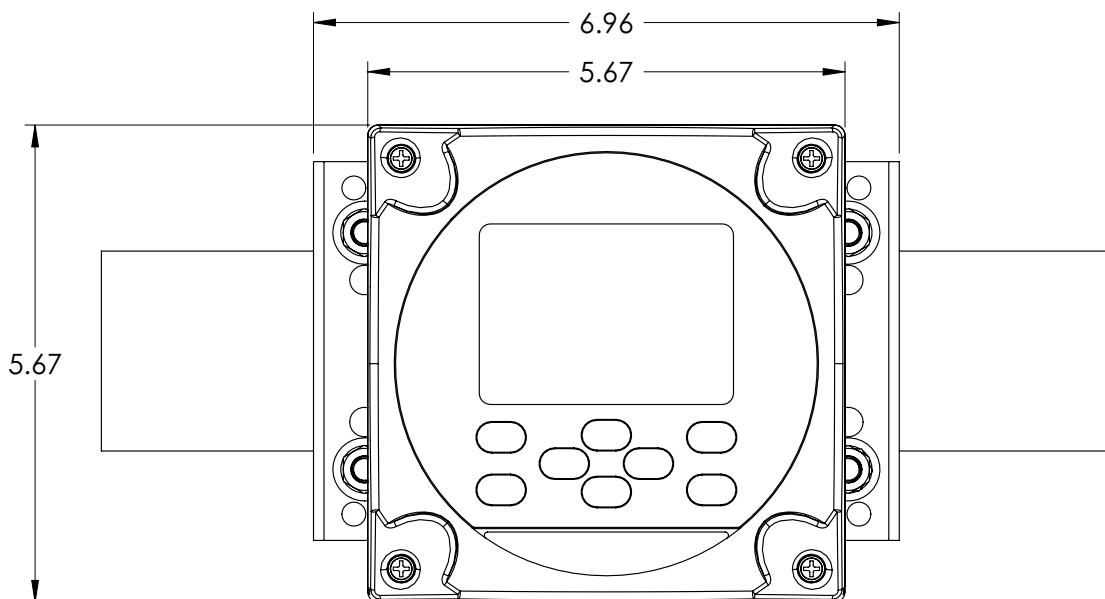


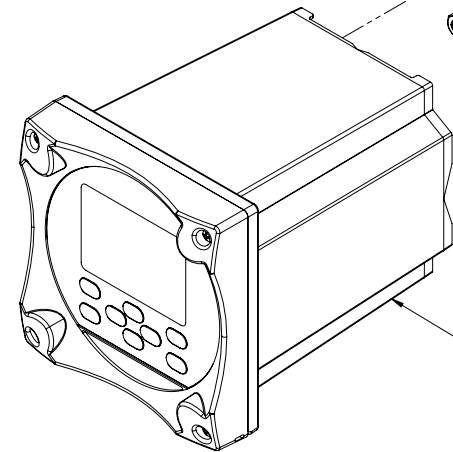
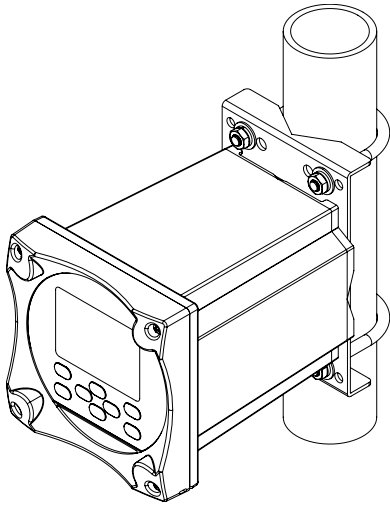
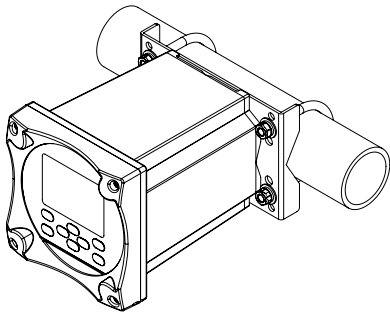
Thermo Scientific Orion 2100 Series Analyzer Pipe Mounting Kit, Cat. No. 2100PMK

Mounting Specifications

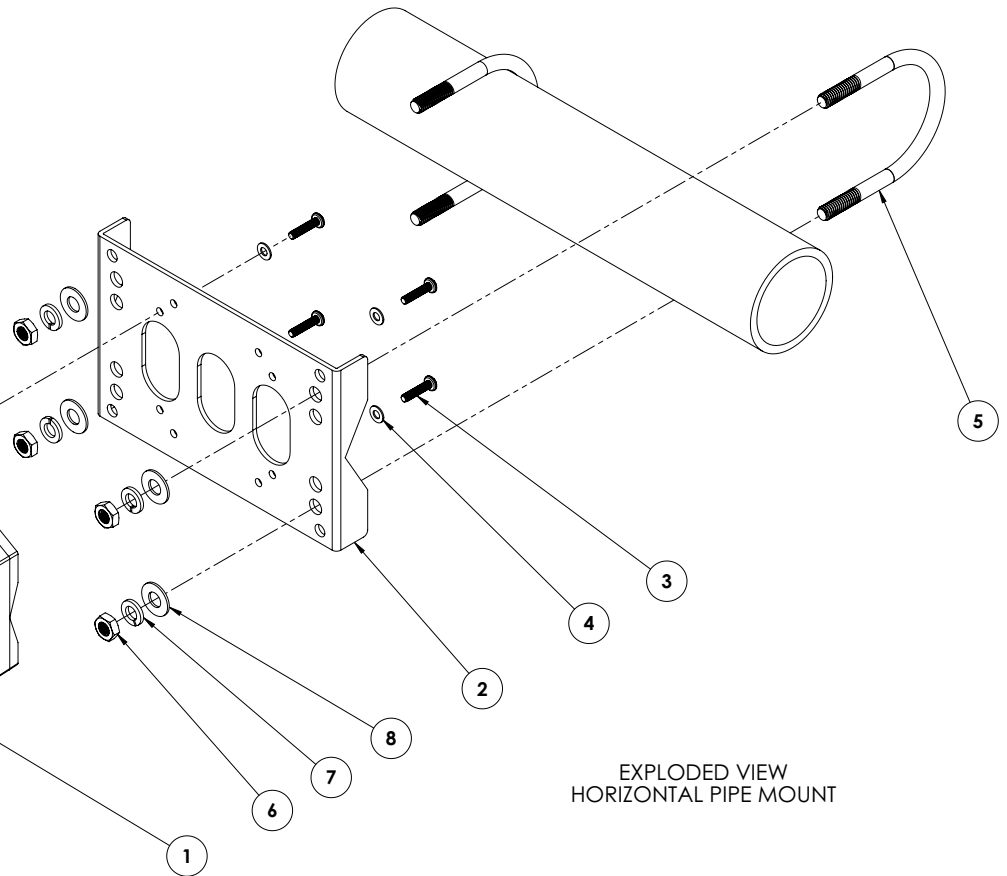
All dimensions are in inches, with a tolerance of ± 0.01 inch.



Mounting Instructions



1. Assemble the mounting plate (**item 2**) with the monitor (**item 1**) using four #8 screws (**item 3**) and four washers (**item 4**). Position the bracket as shown in the exploded view figure when mounting to a horizontal pipe run. When mounting to a vertical pipe run, rotate the mounting bracket 90 degrees before mounting it to the monitor.
2. Place the mounting plate and monitor assembly on the pipe. The pipe should rest in the V-notches on the mounting plate.
3. Secure the mounting plate and monitor assembly to the pipe with two U-bolts (**item 5**), two 5/16" nuts (**item 6**), two small washers (**item 7**) and two large washers (**item 8**). Only finger-tighten the nuts at this point, do not wrench-tighten them. The mounting kit includes four U-bolts. Use the larger U-bolts when mounting to a 2" or 1-1/2" pipe. Use the smaller U-bolts when mounting to a 1" pipe.
4. Rotate the monitor to the desired position and wrench-tighten the nuts that secure the U-bolts.



EXPLODED VIEW
HORIZONTAL PIPE MOUNT

©2009 Thermo Fisher Scientific Inc. All rights reserved. All trademarks are the property of Thermo Fisher Scientific Inc. and its subsidiaries.



Process Water Instruments

North America
166 Cummings Center
Beverly, MA 01915 USA
Toll Free: 1-800-225-1480
Tel: 1-978-232-6000
Dom. Fax: 1-978-232-6015
Int'l Fax: 978-232-6031

Europe
P.O. Box 254, 3860 AG Nijkerk
Wallerstraat 125K, 3862 CN
Nijkerk, Netherlands
Tel: (31) 033-2463887
Fax: (31) 033-2460832

Asia Pacific
Blk 55, Ayer Rajah Crescent
#04-16/24, Singapore 139949
Tel: 65-6778-6876
Fax: 65-6773-0836

www.thermo.com/processwater

263641-001 Rev. A 06-09

Thermo
SCIENTIFIC